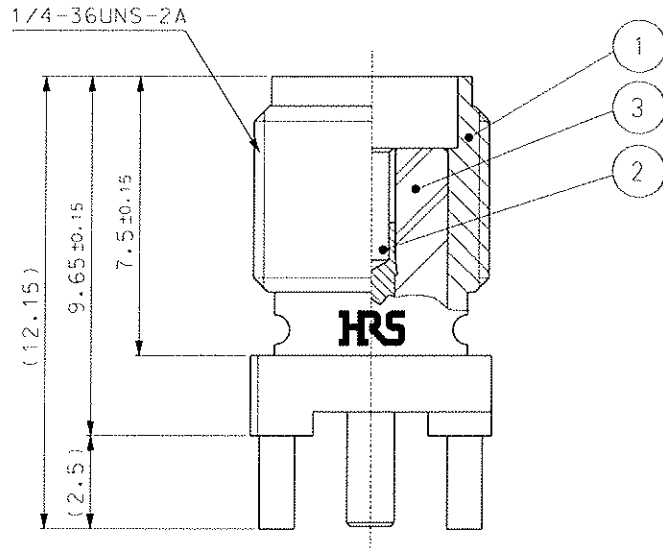


COUNT	DESCRIPTION OF REVISION	BY	CHKD	DATE	COUNT	DESCRIPTION OF REVISION	BY	CHKD	DATE	
△					△					
△					△					
APPLICABLE STANDARD										
OPERATING TEMPERATURE RANGE		-55℃ ~ +125℃			OPERATING HUMIDITY RANGE		-55℃ ~ +125℃			
FREQUENCY RANGE		DC ~ 12GHz			CHARACTERISTIC IMPEDANCE		50 Ω			
CURRENT		-			APPLICABLE CABLE		-			
SPECIFICATION										
ITEM		TEST METHOD			REQUIREMENTS			QT	AT	
CONSTRUCTION										
GENERAL EXAMINATION		VISUALLY AND BY MEASURING INSTRUMENT			ACCORDING TO DRAWING			○	○	
MARKING		CONFIRMED						○	○	
ELECTRIC CHARACTERISTICS										
CONTACT RESISTANCE		VALUE AT MAXIMUM OF DC 100mA			CENTER: 4mΩMAX. OUTER: 4mΩMAX.			○	-	
INSULATION RESISTANCE		VALUE AT DC 500V			5000MΩMIN.			○	-	
DIELECTRIC WITHSTANDING VOLTAGE		MUST KEEP THE AC 1000V FOR 1MIN. (AN ELECTRONIC CURRENT 2mA MAX)			NO DIELECTRIC BREAKDOWN OR INSULATION DESTRUCTION			○	-	
VSWR		FREQUENCY DC 0.045GHz TO 12GHz			1.4MAX			○	-	
INSERTION LOSS		FREQUENCY DC 0.045GHz TO 12GHz			-			-	-	
MECHANICAL CHARACTERISTICS										
DURABILITY		EXTRACTION FORCE		MEASURE OF PIN φ0.91(0~+0.005)			① FORCE : 150gf~500gf		○	-
		AFTER		VALUE AFTER 1,000 TIMES INSERTION AND EXTRACTION AT THE CONDITION.			① CONTACT RESISTANCE CENTER: 6mΩMAX. OUTER: 6mΩMAX. ② NO DAMAGE AND CRACK		○	-
ENVIRONMENTAL CHARACTERISTICS										
DAMP HEAT		EXPOSED AT TEMPERATURE 25℃~65℃, HUMIDITY 90~98% IN 96h. (TOTAL 3CYCLES)			① INSULATION RESISTANCE : 10MΩMIN. ② NO DAMAGE AND CRACK			○	-	
TEMPERATURE CYCLING		TEMPERATURE -65 → - → 125 → -℃ TIME 30 → 3 → 30 → 3 min (TOTAL 5 CYCLES)			① NO DAMAGE AND CRACK			○	-	
SHOCK		980 m/s ² AT 6ms HALF SINE WAVE. 3TIMES FOR 3 DIRECTIONS			① NO ELECTRICAL SHORT CIRCUIT OF 1μs ② NO DAMAGE AND CRACK			○	-	
VIBRATION		FREQUENCY 10 TO 500Hz, SINGLE AMPLITUDE 1.5mm. SWEEP TIME 5.6 Min ACCELERATION 196m/s ² 4H. FOR 3(X,Y,Z) DIRECTIONS.			① NO ELECTRICAL SHORT CIRCUIT OF 1μs ② NO DAMAGE AND CRACK			○	-	
SALT SPRAY		EXPOSED IN 5%, TEMPERATURE 35℃, SALT WATER SPRAY FOR 48h.			① NO DAMAGE, CRACK AND CORROSION, OF PARTS			○	-	
REMARK					DRAWN	DESIGNED	CHECKED	APPROVED	RELEASED	
					2009.7.15	2009.7.15	2009.7.15	2009.7.15	2009.07.15	
NOTE) QT:Qualification Test AT:Assurance Test ○:Application										
HIROSE KOREA CO., LTD			SPECIFICATION SHEETS			PART NAME. SMA-R-PC(05)				
CODE(OLD) CL		DRAWING NO. SLC4 - 601323			CODE NO. CL 6326-0017-0			1 1		

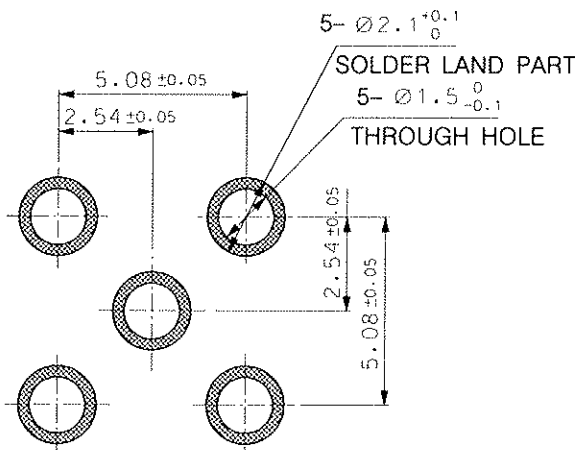
1		2			3			4		
△數 COUNT	訂正事項 DISCUSSION OF REVISIONS	擔當 B Y	檢圖 CHKD	年月日 DATE	△數 COUNT	訂正事項 DISCUSSION OF REVISIONS	擔當 B Y	檢圖 CHKD	年月日 DATE	
△				. .	△				. .	
△				. .	△				. .	
△				. .	△				. .	

A

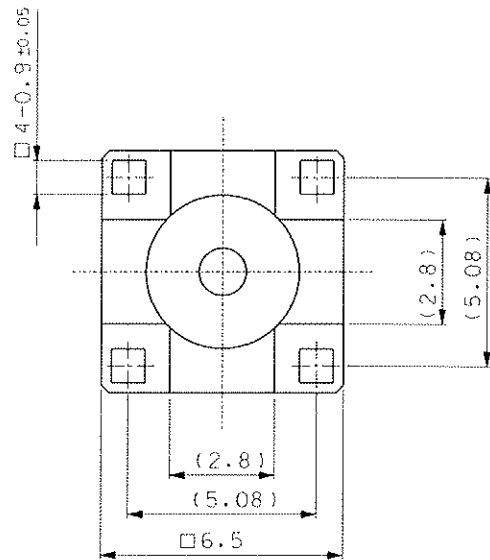


B

C



RECOMMENDED PC BOARD HOLE PATTERN



D

E

3	INSULATOR	TEFLON					
1	SHELL	C3604BD-F	NIP+AuP	2	CONTACT	C1730B-H	NIP+AuP
NO	NAME	MATERIAL	FINISH	NO	NAME	MATERIAL	FINISH

備考 REMARKS

APPROVAL DRAWING

製圖 DRAWN 張	擔當 DESIGNED 張	檢圖 CHECKED 金	承認 APPROVED 張	出圖 RELEASED 張
2009.7.15	2009.7.15	2009.7.15	2009.7.15	2009.07.15
張誠	張誠	度亨	張誠	張誠

舊製品
CODE NO. (OLD)

尺度 SCALE
5 : 1
單位 UNITS
mm

圖番 DRAWING NO.
EDC4-601323-
HRS HIROSE KOREA CO.,LTD.

製品名 PART NO.
SMA-R-PC(05)
製品 CODE NO.
CL-6326-0017-0

1

2

3

4

F

F